

Sight Flow Indicator PN 2,5

Typ KL 323

Version with Glasstube (full view)

to connect eg to welding neck flanges:
DIN 2632 / DIN 2633 (PN 10 / PN 16)

Pressure rating:
2,5 bar

Inner flanges:
1.4404 / 1.4571

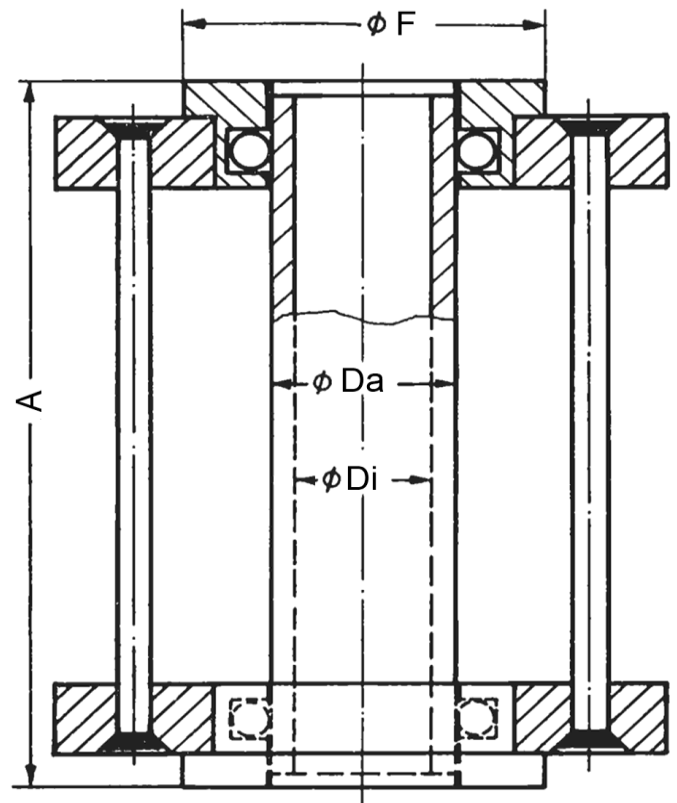
Connecting flanges:
DIN 2576 PN 10 or
DIN EN 1092-1 Type 01
1.4301 / 1.4541

Standard mounting height:
DIN 3202 F1
others on request

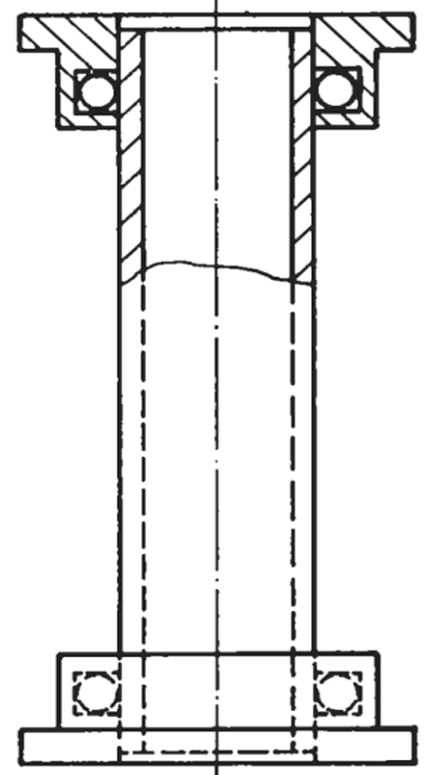
Sigh Glass tube:
borosilicate glass Schott Duran

Seals:
Viton O-ring seals

Ordering excmple:
5 Tubular Sight Glasses Type KL 323 - NW 25
inner flanges: 1.4404
connecting flanges: 1.4301
seals: Viton



Sparepart:



Connecting flange DIN 2633			Sight Glass		ϕF	Height DIN 3202 F1 A*
NW	ϕD	ϕLK	ϕD_a	ϕD_i		
15	95	65	22,0	17,0	50,0	130
20	105	75	28,0	22,4	58,0	150
25	115	85	36,0	30,4	68,0	160
32	140	100	46,0	39,6	78,0	180
40	150	110	54,0	47,0	88,0	200
50	165	125	70,0	61,6	102,0	230
65	185	145	85,0	75,0	122,0	290
80	200	160	100,0	90,0	138,0	310
100	220	180	120,0	106,0	162,0	350
125	250	210				
150	285	240				
200	340	295				

on request

* other mounting heights on request

KESSLER
Manfred Kessler GmbH
Schauglasarmaturen

Manfred Kessler GmbH
Schauglasarmaturen
Grienmatt 44
D-79650 Schopfheim

Tel.: +49 (0) 7622 62343

Fax: +49 (0) 7622 7197

E-mail: info@kessler-sightglass.com

www.kessler-sightglass.com